

CMX810M

Rechargeable Lithium Ion
Smart Battery

28.8V
2.55Ah
73.4Wh

Specifications

Model	CMX810M	
Capacity	0.2C (Typical)	2550mAh ⁽¹⁾⁽²⁾
	0.2C (Minimum)	2500mAh ⁽¹⁾⁽²⁾
Charging	Voltage	33.6V ⁽⁸⁾
	Current (Maximum)	2500mA ⁽⁸⁾
	Temperature	0°C to +40°C ⁽⁶⁾
Discharging	Voltage (Average)	28.8V ⁽²⁾
	Cut-Off Voltage	22.0V ⁽⁷⁾
	Current (Maximum)	10.0A ⁽⁸⁾
	Power (Maximum)	220W ⁽⁸⁾
	Temperature	-10°C to +50°C ⁽⁴⁾⁽⁶⁾
Storage	Temperature	-20°C to +60°C
Cycle Life	>500 (Typ) ⁽¹⁾⁽³⁾⁽⁵⁾⁽⁶⁾	
Nominal Dimensions	Length	170.5mm
	Width	85.0mm
	Thickness	28.0mm
Weight	530g (Typical)	
Colour	Traffic white	
Fuel Gauge	Smart Battery Specification Rev 1.1 compliant, impedance tracking fuel gauge	
Termination	D-Sub 7W2S mixed power/signal connector	
Certification	Transportation	UN ST/SG/AC.10.11 Rev5 Section 38.3
	Safety	IEC 62133:2012 & UL 62133
	CE Marked	Compliant with applicable directives

Notes

- CVCC 33.6V, 0.5C charge to Terminate Charge Alarm at +20°C.
- 0.2C discharge to Terminate Discharge Alarm at +20°C.
- 0.5C discharge to Terminate Discharge Alarm at +20°C.
- Discharge performance degrades at lower temperatures. Empirical testing in application is suggested to determine suitability. Maximum current capability may not be available at low temperatures.
- To 80% of 0.2C minimum rated capacity
- Cycle life degrades at higher operating temperatures, empirical testing in application suggested to determine suitability.
- Battery will disconnect itself below this level.
- Do not exceed this level.

The CMX810M is available off the shelf and can also be customised for your application, getting you to market quickly and confidently.

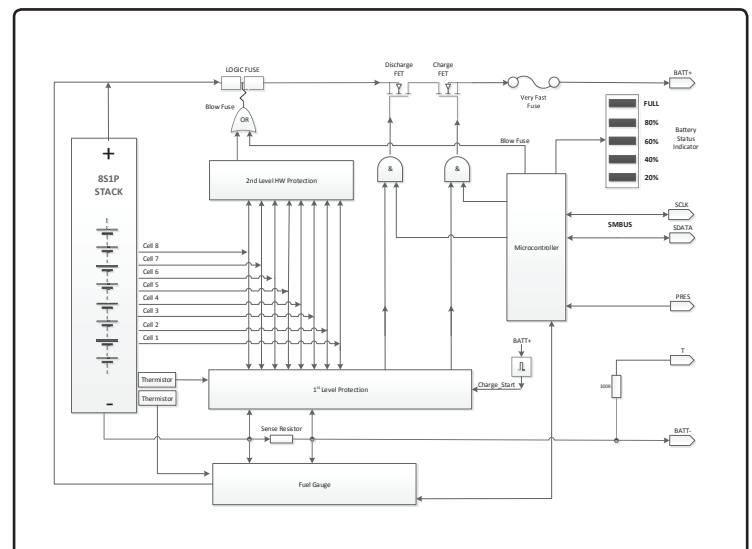
Features

- Latest Lithium Ion technology
- CMX 'M' series - optimised for capacity and power
- 10A or 220W continuous discharge capability
- SBS Rev1.1 compliant, impedance tracking fuel gauge
- Active protection circuitry (OV, UV, OC, SC + 2nd OV)
- LCD visual state of charge bar graph indicator
- Redundant passive over-current protection
- D-Sub 7W2S mixed power/signal connector
- Tough, easily cleaned plastic casing
- IEC 62133:2012 and UL 62133 (safety) compliant
- UN ST/SG/AC.10/11/Rev5 §38.3 (transportation) compliant
- 2004/108/EC (EMC/ESD) compliant

Product Image



Block Diagram



Mechanical Drawing

