

CC3800 3.7V 3.8Ah 14.1Wh
Rechargeable Lithium Ion
Credit Card Battery

Specifications

Model	CC3800	
Capacity	0.2C (Typical)	3800mAh ⁽¹⁾⁽²⁾
	0.2C (Minimum)	3610mAh ⁽¹⁾⁽²⁾
Charging	Voltage	4.20V ⁽⁸⁾
	Current (Typical)	1900mA (0.5C)
	Current (Maximum)	2000mA ⁽⁸⁾
	Temperature	0°C to +45°C
Discharging	Voltage (Average)	3.7V ⁽²⁾
	Cut-Off Voltage	3.0V ⁽⁷⁾
	Current (Maximum)	2A ⁽⁸⁾
	Temperature	-10°C to +50°C ⁽⁴⁾⁽⁶⁾
Storage	Temperature	-20°C to +60°C
Cycle Life	>300 (Typ) ⁽¹⁾⁽³⁾⁽⁵⁾⁽⁶⁾	
Dimensions	Length	85.6mm ± 0.20mm
	Width	54.0mm ± 0.20mm
	Thickness	14.7mm ± 0.20mm
Weight	<105g	
Fuel Gauge	Texas Instruments BQ27541-G1 Impedance Tracking fuel gauge with I ² C communication	
Termination	7 way Tyco connector 1827684-1 (mates with Tyco 1827654-1 or -2)	
Certification	Transportation	ST/SG/AC.10.11 Rev5 (UN38.3 T1-T8 Tests)
	Safety	IEC 62133-2:2017
	CE Marking	EMC Directive 2004/108/EC

Notes

1. CVCC 4.20V, 0.5C charge to 0.05C current taper at +20°C
2. 0.2C discharge to 3.0V within 1 hour of charge at +20°C
3. 0.5C discharge to 3.0V within 1 hour of charge at +20°C
4. Discharge performance degrades at lower temperatures, empirical testing in application is suggested to determine suitability
5. To 80% of 0.2C minimum rated capacity
6. Cycle life degrades at higher operating temperatures, empirical testing in application suggested to determine suitability
7. Application should terminate discharge below this level
8. Do not exceed this level

The CC3800 is part of the Entellion range. Entellion products are smart, innovative portable power products, designed to meet the emerging needs of feature-laden devices in professional markets. Created and manufactured by Accutronics, Entellion combines our expertise in custom OEM requirements and market trends. Entellion products are available off the shelf and can be customised for your application, getting you to market quickly and confidently.

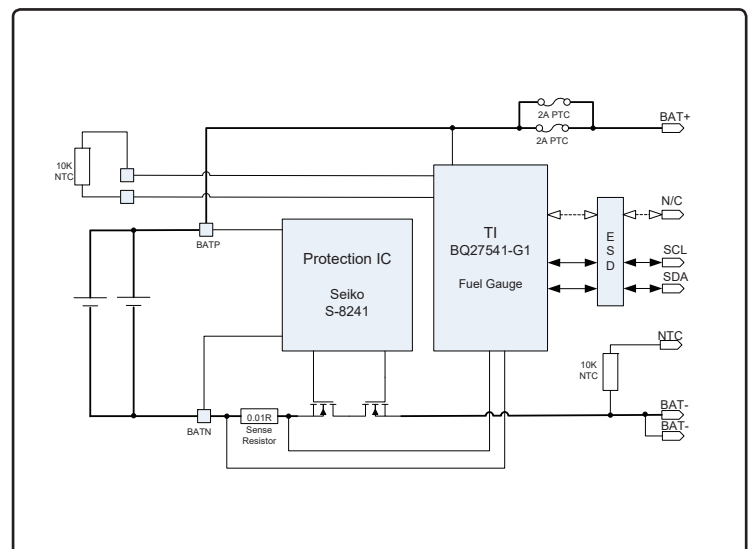
Features

- 3.7V high energy density Lithium Ion technology
- Credit card footprint (54.0mm x 85.6mm)
- Impedance tracking fuel gauge with I²C communication
- Active protection circuitry (OV, UV, OC, SC)
- Redundant passive over-current protection
- 7 position Tyco connector interface
- Tough plastic enclosure
- IEC 62133-2:2017 (safety) & UN 38.3 (transport) compliant
- CE marked (EMC/ESD compliance)
- Also available as a 2300mAh model (9.1mm high CC2300)
- Customisation to labelling, case colour and firmware possible

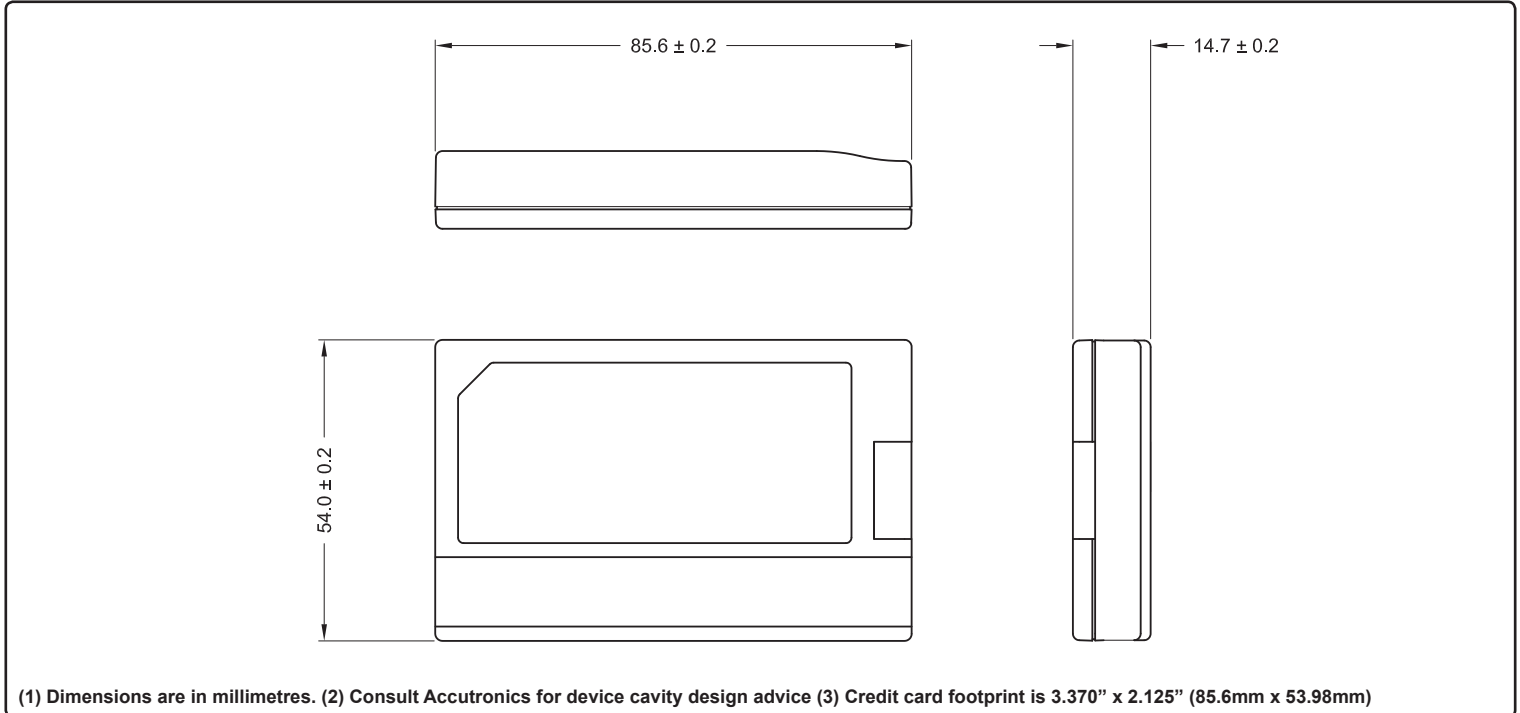
CC3800



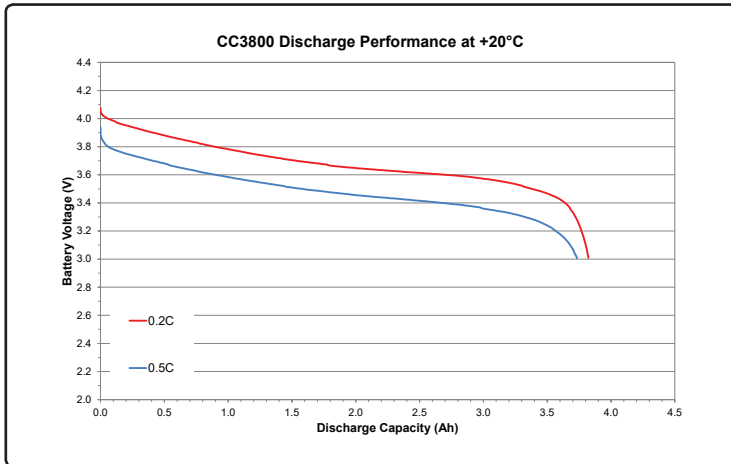
Block Diagram



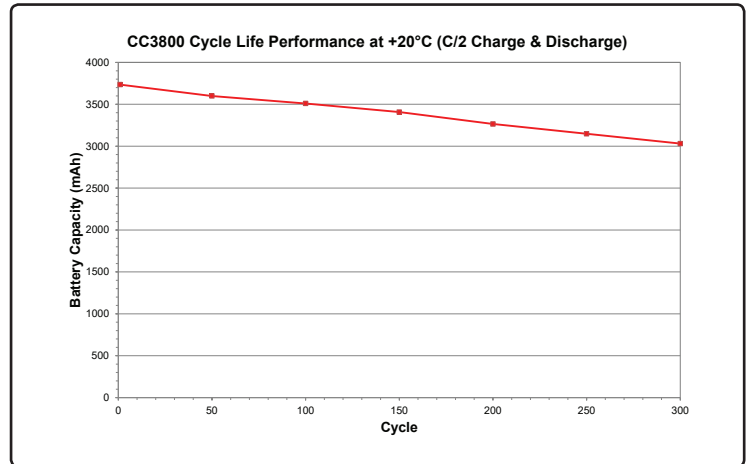
Mechanical Drawing



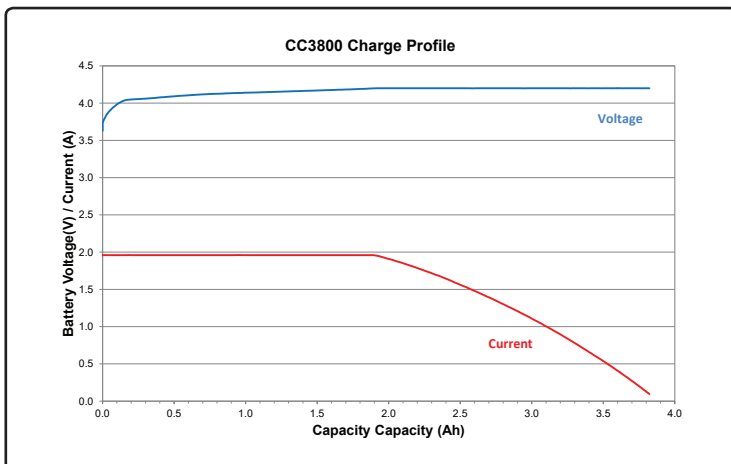
Typical Discharge Performance at +20°C



Typical Cycle Life Performance



Typical Charge Performance



Accessories

Connectors



The CC3800 mates with the Tyco 1827654-1 or 1827654-2

Development PCB



The EVAL001 PCBA allows easy hook up during development