

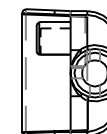
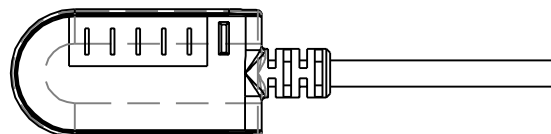
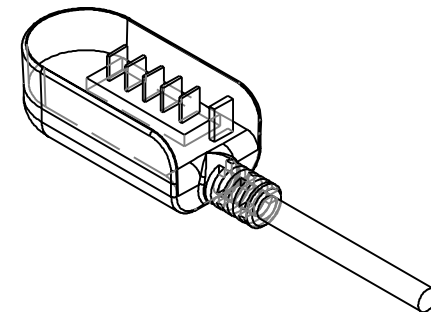
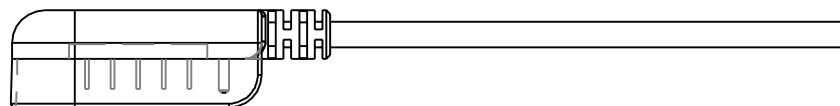
4

3

2

1

629028



CABLE SPECIFICATIONS:
COMPONENT: (2) 18 AWG CONDUCTORS
65/36 TC STRANDING
INSULATOR: PVC
COLOR: RED AND BLACK

COMPONENT: (3) 24 AWG CONDUCTORS
41/40 TC STRANDING
INSULATOR: PVC
COLOR: WHITE, GREEN, AND BROWN

INSULATOR: .014 THICK PU TO ϕ .200
COLOR: BLACK

= LIST	
FROM	COLOR
P1	RED 18 AWG
P2	WHITE 24 AWG
P3	GREEN 24 AWG
P4	BROWN 24 AWG
P5	BLACK 18 AWG

LOC	REV	APPR	DATE	REVISIONS	EWO/ECN NO.
NBF	5		8/10/07	CHG DIM FROM .293 TO .305 FO AS BUILT SAMPLES	
NBF	4		7/6/07	ADD CONNECTOR KEY FEATURES AND DIM'S	
NBF	7		11/16/07	WIRE INSULATOR PVC WAS TEFLON	
NBF	6		9/27/07	CHG WIRES FROM .015 THK PU TO 18AWG TEFLON	

UNLESS OTHERWISE SPECIFIED:

- ALL MACHINED SURFACES TO BE 63 MICROINCHES OR SMOOTHER.
- ALL DIMENSIONS ARE IN INCHES.

TOLERANCES:

.XX	±.02	FRACTIONS
.XXX	±.005	± 1/64
.XXXX	±.0005	ANGLE ±1/4°



NEWBERRY, FLORIDA

3rd ANGLE PROJ.	CHECK	PART DESC.:
DRAWN	APPROVE	CONNECTOR 5 WIRE 204X
M. ORLER	DATE ISSUED	ADDITIONAL TEXT:
DATE	4/4/07	MACHINE NAME:

These documents, submitted by Inspired Energy Inc., contain information of a proprietary nature and shall not be copied or duplicated in whole or in part or used in whole or in part for any purpose other than that which is necessary for the preparation of bids or fabrication.

BILL OF MAT'L. NEXT ASSEMBLY

SCALE	1:1	SHEET	1	OF	1
ENGINEERING NO.	629028			DWG. REV.	B 7
		SIZE			

4

3

2

1

10/10/2002