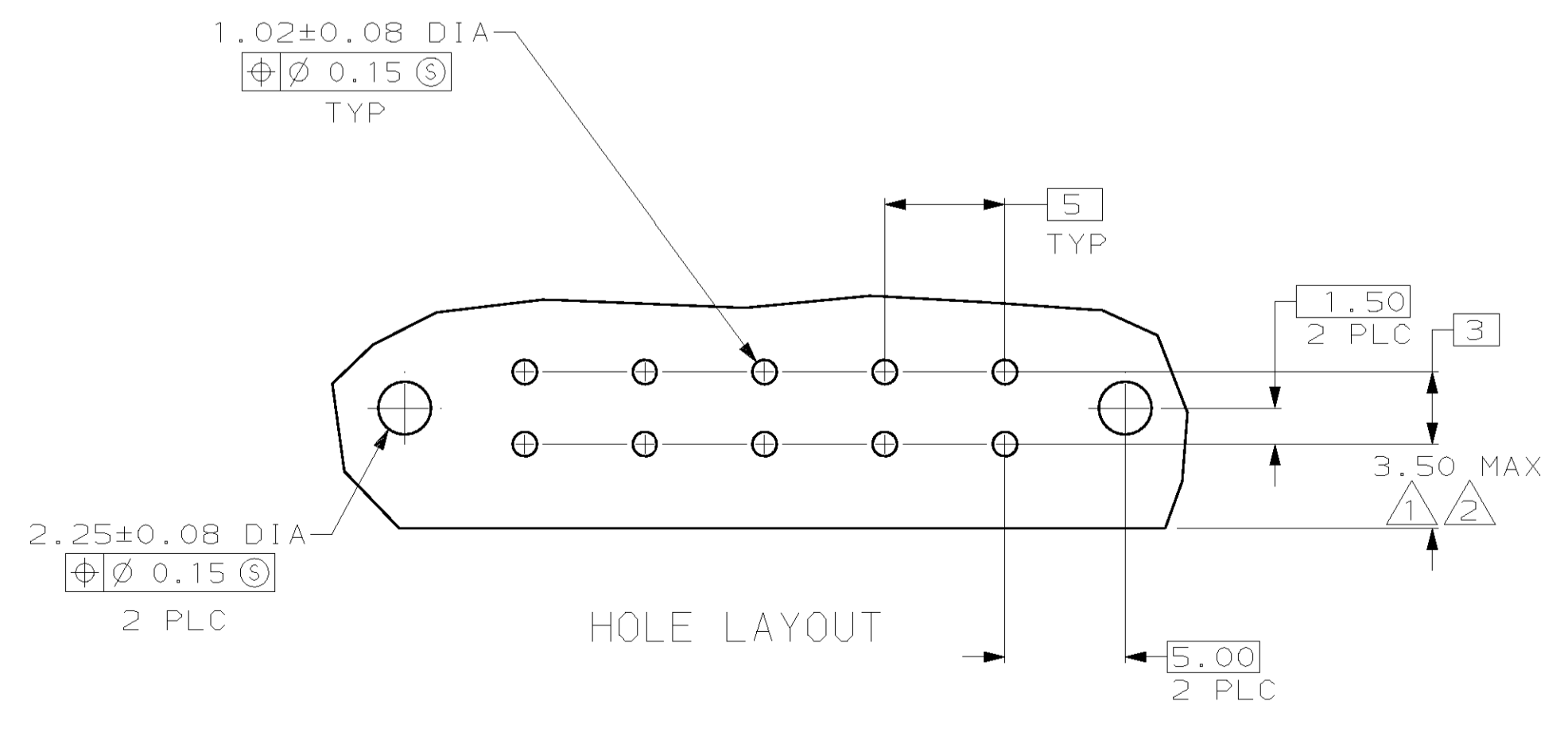
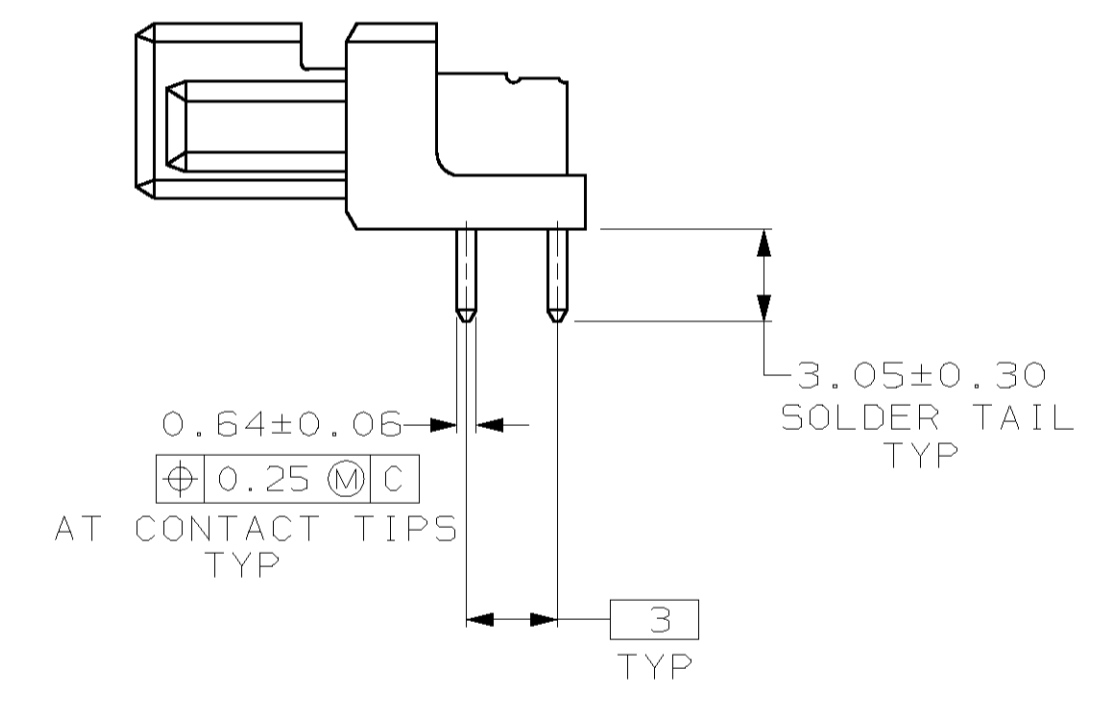
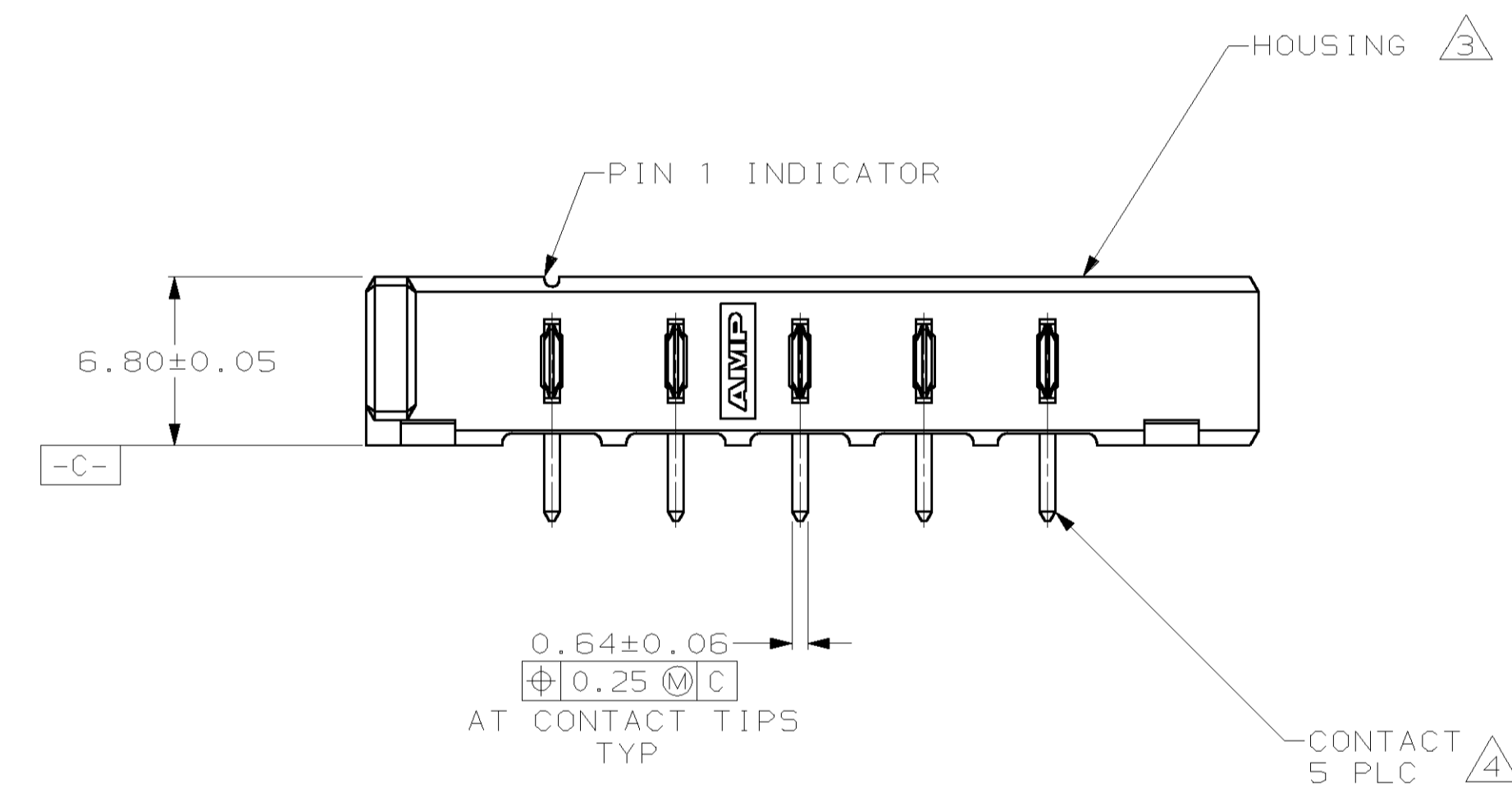
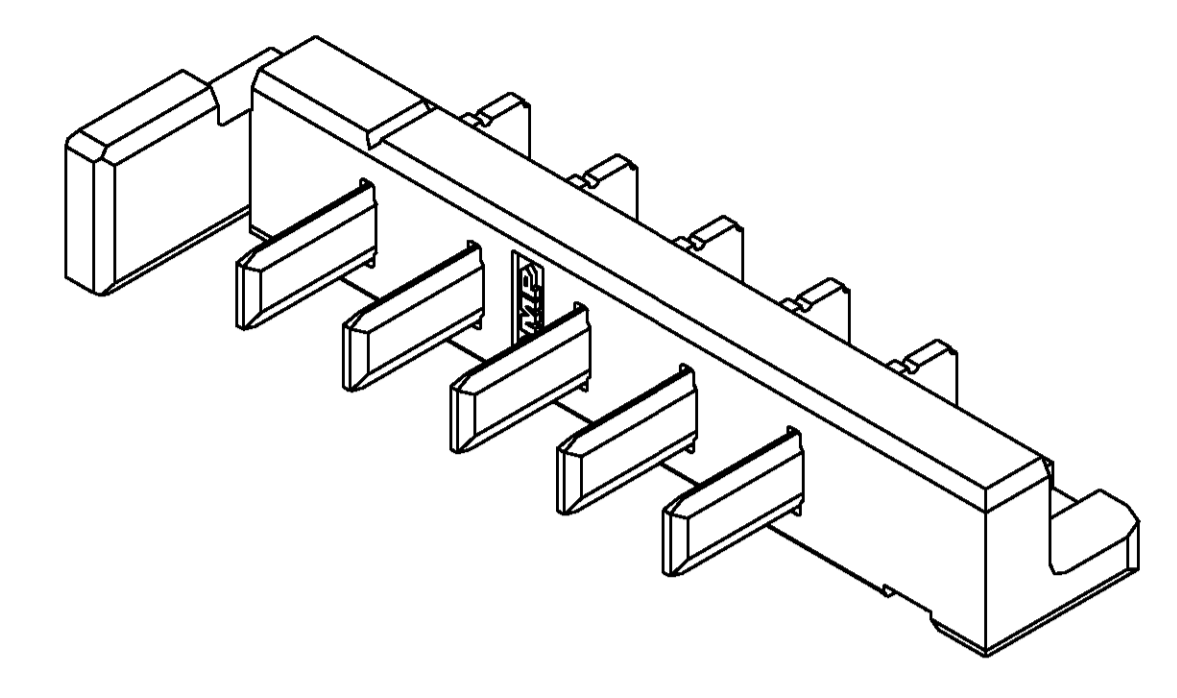
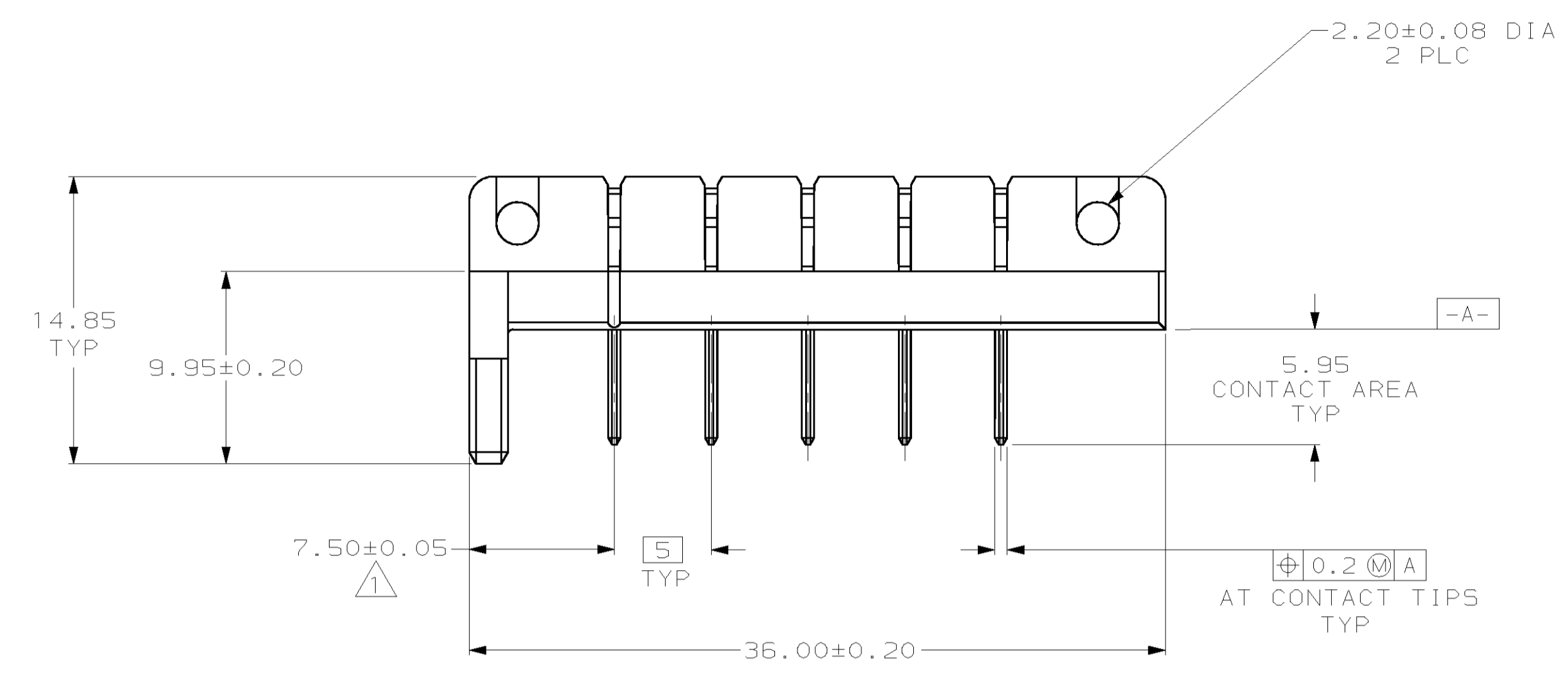


LOC	DIST	REVISIONS			
AD	39	REV	DATE	BY	APPV
B		REVISED PER EC OUGO-0006-01	07JUN01	DD	JK

- 1 COORDINATE DIMENSION APPLIES FROM CENTER OF ACTUAL FEATURE.
- 2 DIMENSION CAN BE EXCEEDED FOR APPLICATIONS WHERE FINAL MATED POSITION OF PACK IS ABOVE TOP SURFACE OF PCB.
- 3 LCP, BLACK
- 4 2.54µm MIN TIN-LEAD ON SOLDER TAIL OVER. 1.90µm MIN NICKEL ALL OVER.
- 5 CONTACTS: BRASS



787428-1
PART NUMBER

<small>THIS DRAWING IS A CONTROLLED DOCUMENT FOR AMP INCORPORATED. IT IS SUBJECT TO CHANGE AND THE CONTROLLING ENGINEERING ORGANIZATION SHALL BE CONTACTED FOR THE LATEST REVISION.</small>		DWG: S.KLINE 03-09-95 CHK: S.KLINE 03-15-95 APPV: S.KLINE 03-15-95	AMP AMP Incorporated Harrisburg, PA 17105-3608
DIMENSIONS: mm 	TOLERANCES UNLESS OTHERWISE SPECIFIED: 0 PLC ± 1 PLC ± 2 PLC ±0.13 3 PLC ± 4 PLC ± ANGLES ±	PRODUCT SPEC: 108-1501 APPLICATION SPEC: 114-24005	NAME: HEADER ASSEMBLY, RIGHT ANGLE, LEFT VOLTAGE KEY, 12V, W/MTG HOLES, BATTERY INTERCONNECTS SIZE: A1 CAGE CODE: 00779 DRAWING NO: C-787428
MATERIAL: SEE CALLOUTS	FINISH: SEE CALLOUTS	WEIGHT: -	SCALE: 4:1 SHEET 1 OF 1 REV B
CUSTOMER DRAWING			